

Age Range: 5 and up
 Weight Limit: 120 lbs.
 Surfaces: Hard Surfaces
 Speed: 7 MPH Forward
 Colors: Black Body/Red Seat
 Intro: 2004
 Suggested Retail: 199.99
 Box Dimensions:
 9.250 x 20.750 x 37.500
 40 lbs.
 Warranty

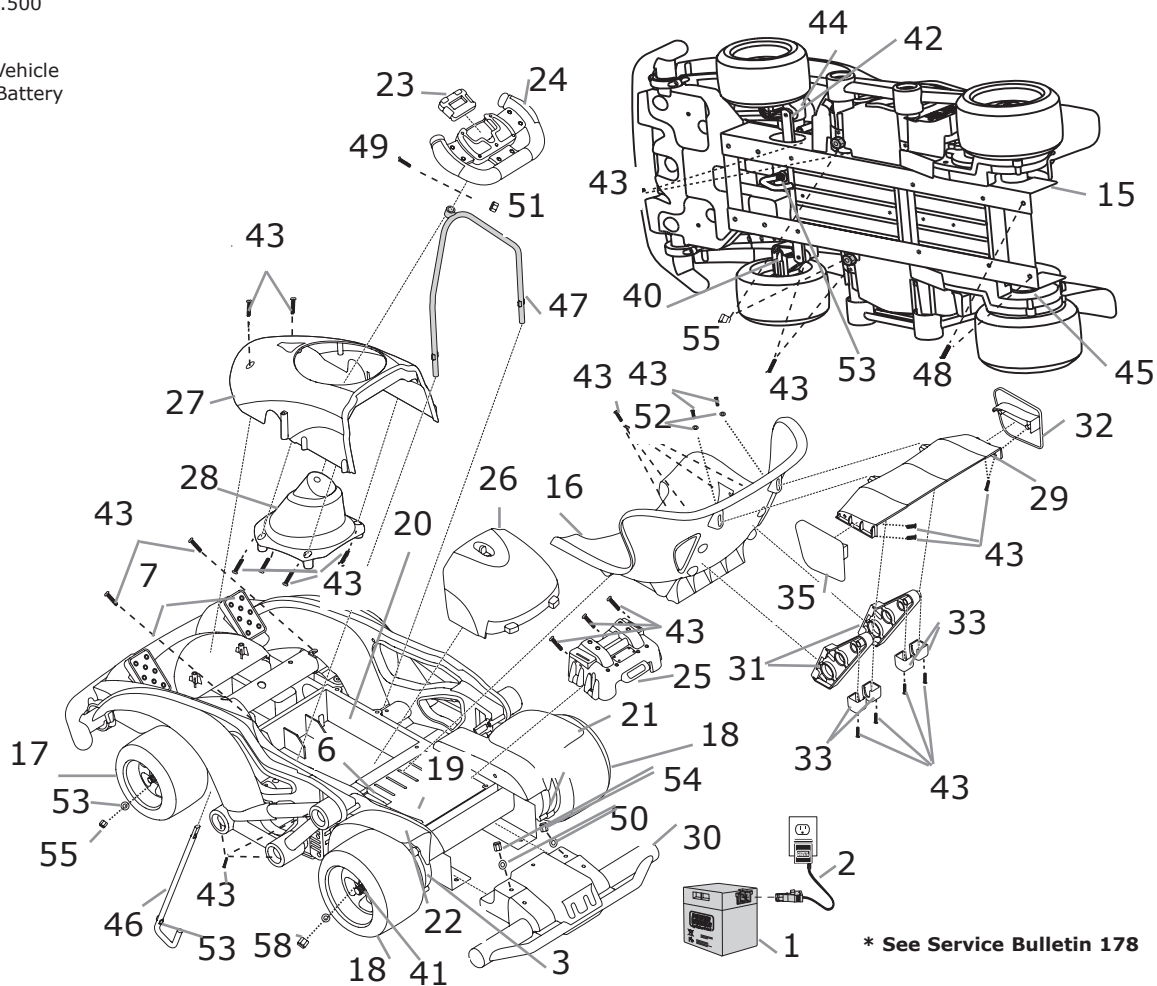
One Year Vehicle
 6 Months Battery



H2836

Driveway Racer

12V Performance Series



* See Service Bulletin 178

Rev. 02/14/06

Item No.	Description	Part No.	Qty. Item	Part	No. Qty.	Description	No.
Working / Electrical Parts							
1.	12V Battery	00801-1048	1				
2.	12V Charger w/Probe	00801-0972	1				
3.	Left Motor Gearbox Assy. 00968-4900	00968-4900	1				
4.	Right Motor Gearbox Assy. 00968-4901	00968-4901	1				
6.	Main Harness Assembly C0532-9799	C0532-9799	1				
7.	Footboard Assembly N/A H2836-9229	H2836-9229	1				
Plastic / Other Parts							
15.	Frame	N/A	1				
16.	Seat	C0530-2309	1				
17.	Front Wheel	C0530-6139	2				
18.	Rear Wheel	C0530-6129	2				
19.	PC Board Cover	C0532-2039	1				
20.	Pan	C0532-2059	1				
21.	Right Rear Fender	C0532-2179	1				
22.	Left Rear Fender	C0532-2189	1				
23.	Stopwatch	C0532-9529	1				
24.	*Steering Wheel Assy.	H2836-9409	1				
25.	Pretend Motor N/A	H2836-2319	1				
26.	Battery Cover (Clamp) N/A	H2836-9369	1				
27.	Cowling	H2836-2219	1				
28.	Cowling Cover N/A	H2836-2519	1				
29.	Rear Wing N/A	H2836-2389	1				
30.	Rear Bumper N/A	H2836-2379	1				
31.	Struts (Left & Right)	C0530-9019	1				
Hardware / Metal Parts							
40.	Front Axle	C0532-4519	2				
41.	Rear Axle	C0532-4539	1				
42.	Steering Linkage	C0532-9089	1				
43.	8 x 3/4 Screw	00912-8001	35				
44.	Front Axle Support	C0532-2069	2				
45.	Rear Axle Bushing	C0532-2149	2				
46.	*Steering Column N/A	H2836-9099	1				
47.	Steering Tube N/A	H2836-9089	1				
48.	1/4-20 x 3 Screw N/A (Order Hardware Bag)	00801-1302	2				
49.	3mm x 21mm Screw N/A	00801-1462	1				
50.	1/4 Washer	00801-1337	2				
51.	3 mm Nylock Nut N/A	00801-1463	1				
52.	3/16 Washer N/A (Order Hardware Bag)	0801-0195	2				
53.	.375 Washer	00801-1335	1				
54.	1/4-20 Lock Nut (Order Hardware Bag)	00801-0568	2				
55.	3/8-16 Lock Nut	00905-0116	2				
32.	Right Wing Flap N/A	H2836-2479	1				
33.	Caps (Wing Retainer)	C0530-2459	4				
35.	Left Wing Flap N/A	H2836-2489	1				
58.	1/2-13 Lock Nut	00905-0115	2				
Parts Not Shown							
	Hardware Bag N/A	C0532-9299	1				
	Owners Manual	H2836-0920	1				
	Decal Sheet N/A	H2836-0310	1				
	Hot Wheels Racing Guide	C0530-0300	1				
	Stencil/Pylon Sheet	C0530-2019	1				
	Chalk	C0530-9039	2				
	PC Board C0532-9539	C0532-9539	1				
	Gearbox W/out Motor 00968-4800	00968-4800	2				
	Motor Harness C0532-9699	C0532-9699	2				
	Footswitch (Plunger Type) 00801-0933	00801-0933	1				
	Front Bearing Washer	00801-1335	6				
	Front Wheel Spacer	C0532-4629	2				
	Front Axle Bearing	C0532-4529	4				
	Rear Wheel Spacer	C0532-4639	2				
	Rear Axle Drive Spacer	C0532-4549	2				
	Rear Axle Bearing	C0532-4559	4				
	Rear Axle Bushing	C0532-2149	2				
	Additional Seat Screws	00912-8001	6				
	Thick 1/2 Washer N/A	00801-1408	2				
	8-32 x 1.5 Machine Screw N/A	00801-1333	4				
	8-32 Nylok Nut (Order Hardware Bag)	00905-0117	4				

N/A = Not

Bold and Underlined parts are to be purchased and installed by Service Centers only. These items may not be sold directly to consumers by Service Centers or Fisher-Price.